

New Expanded Linear Motor Series

A Wide-ranging Lineup Comprised of Models of Various Sizes

LSA

LSA Linear Servo Actuator: Designed for Various Applications

Maximum speed of 2500 mm/s, maximum acceleration/deceleration of 3 G, load capacity of 120 kg, and maximum stroke of 4 m

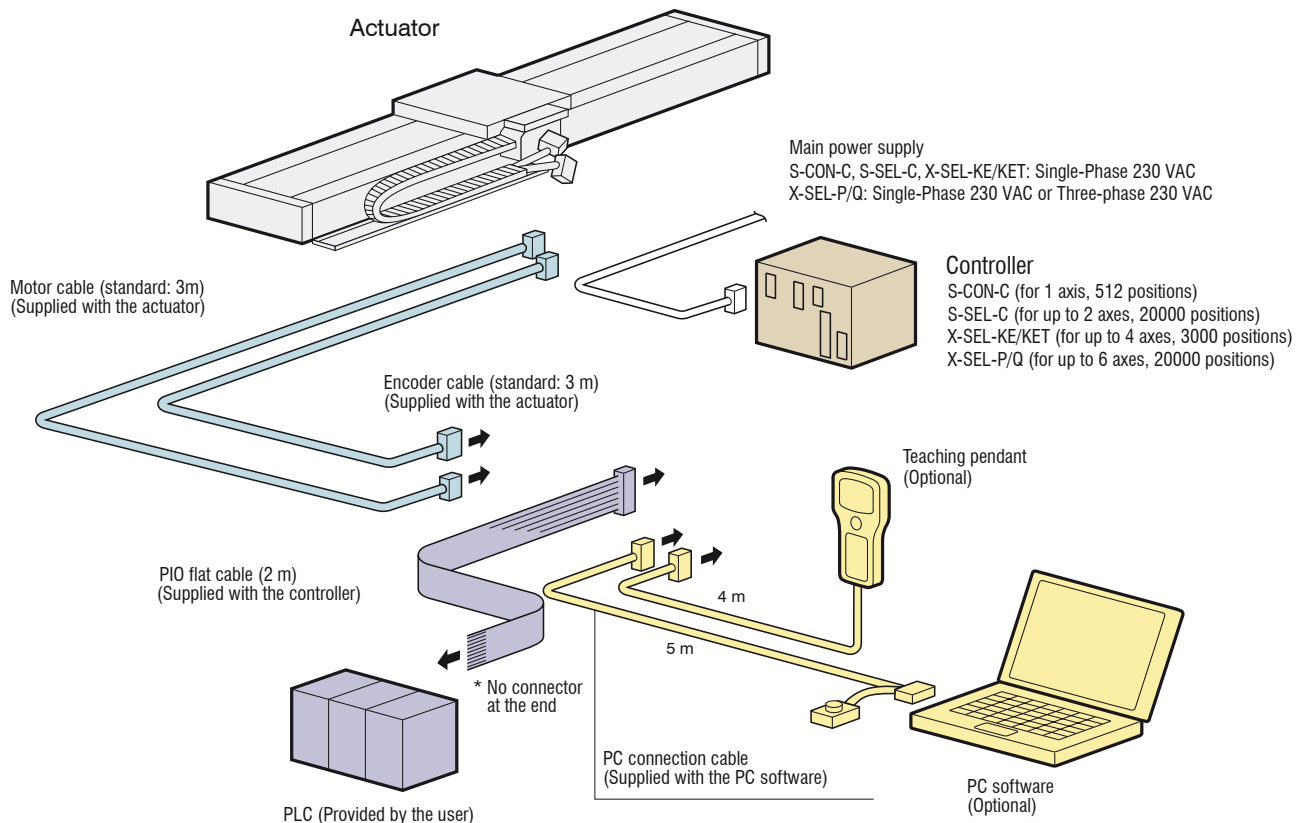
- Compact, lightweight shaft type
- Small, flat-motor type that achieves high thrust with a slim body
- Flat type ideal for installation in a vertically limited space
- Medium type offering high moment rigidity
- Large type capable of transferring loads of up to 120 kg for as far as 4 m



Choose from three controller types supporting three different control methods: positioner control, pulse-train control and program control.



System Configuration Diagram



Technical Data Table

| | Type | Type name | Width (mm) | Thrust design | Number of sliders | Stroke (mm) | Rated Thrust (N) | Max. Payload (kg) | Max. Speed (mm/s) | Applicable Driver Output (W) | |
|-------------|------------|-----------|------------|---------------|-------------------|-------------|------------------|-------------------|-------------------|------------------------------|-----|
| Shaft Type | | S6SS | 60 | Standard | Single | 48~1248 | 15 | 3 | 2500 | 100 | |
| | | S6SM | | | Multi | 40~1048 | | | | | |
| | | S8SS | 80 | Standard | Single | 60~1620 | 25 | 5 | | | 100 |
| | | S8SM | | | Multi | 60~1440 | | | | | |
| | | S8HS | | High | Single | 60~1620 | 35 | 7 | | | |
| | | S8HM | | | Multi | 60~1380 | | | | | |
| | | S10SS | 100 | Standard | Single | 90~2070 | 65 | 15 | | 200 | |
| | | S10SM | | | Multi | 60~1860 | | | | | |
| | | S10HS | | High | Single | 90~2070 | 80 | 20 | | | |
| | | S10HM | | | Multi | 105~1815 | | | | | |
| | Small Type | | H8SS | 80 | Standard | Single | 50~1650 | 30 | | 5 | 200 |
| | | | H8SM | | | Multi | 130~1430 | | | | |
| H8HS | | | High | | Single | 50~1550 | 60 | 8 | | | |
| H8HM | | | | | Multi | 130~1230 | | | | | |
| Flat Type | | L15SS | 145 | Standard | Single | 150~1650 | 30 | 5 | 200 | | |
| | | L15SM | | | Multi | 50~1450 | | | | | |
| Medium Type | | NEW N10SS | 100 | Standard | Single | 100~4100 | 54 | 15 | 100 | | |
| | | NEW N10SM | | | Multi | 100~3900 | | | | | |
| | | NEW N15SS | 150 | Standard | Single | 150~4100 | 86 | 20 | 200 | | |
| | | NEW N15SM | | | Multi | 150~3950 | | | | | |
| | | NEW N15HS | | High | Single | 100~4100 | 125 | 30 | | | |
| | | NEW N15HM | | | Multi | 150~3850 | | | | | |
| | | N19SS | 193 | Standard | Single | 144~2592 | 100 | 30 | 300 | | |
| | | N19SM | | | Multi | 72~2232 | | | | | |
| Large Type | | W21SS | 210 | Standard | Single | 1050~4155 | 200 | 60 | 400 | | |
| | | W21SM | | | Multi | 730~3835 | | | | | |
| | | W21HS | | High | Single | 895~4000 | 400 | 120 | 1000 | | |
| | | W21HM | | | Multi | 420~3525 | | | | | |

The information contained in this catalog is
subject to change without notice for the purpose
of product improvement



Providing quality products
since 1986

IAI
Quality and Innovation

Sales Partner:



Gustav-Meyer-Allee 25
Gebäude 26, Aufgang B
D - 13355 Berlin

fon: +49 (0)30 - 700 96 94 0
fax: +49 (0)30 - 700 96 94 69
<http://www.pi4.de>
Email: vertrieb@pi4.de